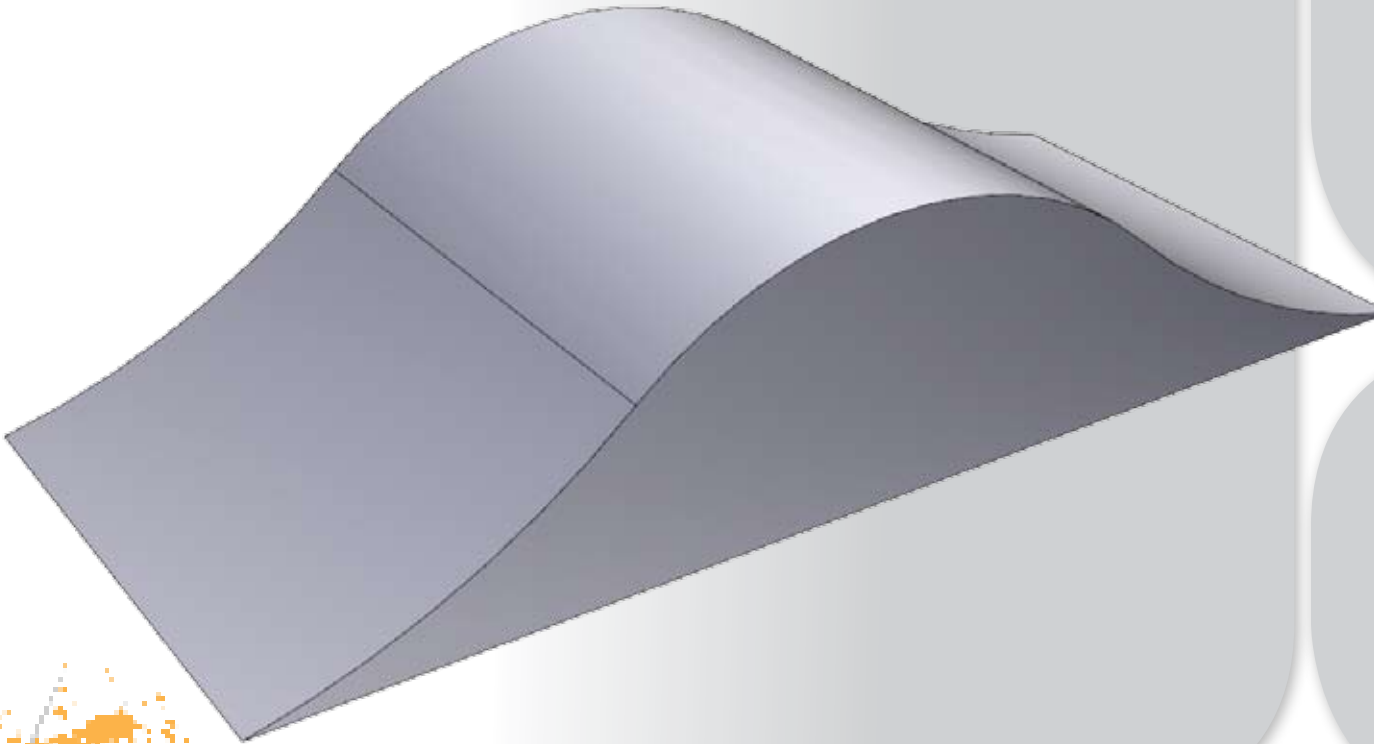
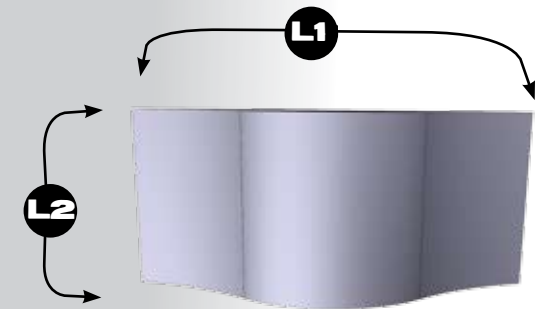


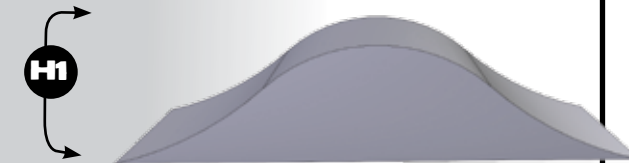
View/Vue - 1



View/Vue - 2



View/Vue - 3



Camel Hump

Prod - RedR-CH100

Dimension

L1: 12'

L2: 4'

H1: 2'

Approved/Approuver

Date: Feb, 16 2010

Rev: 00

Initial: SF

F-7.5.1-02-01

