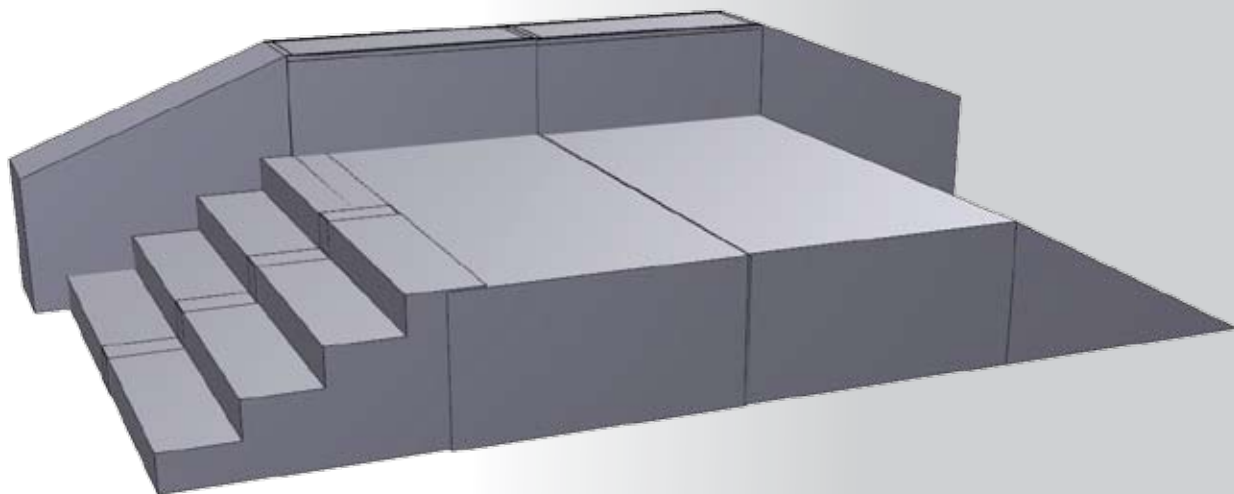
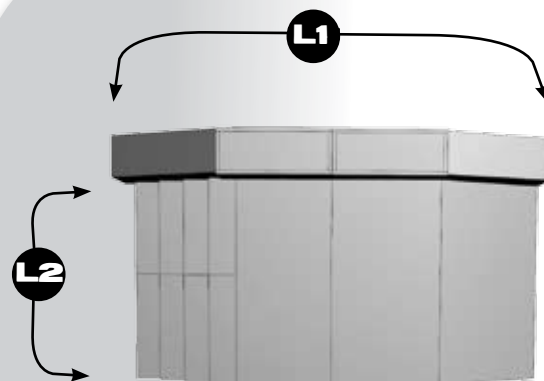




View/Vue - 1



View/Vue - 2



View/Vue - 3



Bank to Bank with Stairs and Gring Box

Prod - RedR-BB-103

Dimension

- L1: 18'
- L2: 7'.6"
- H1: 2'
- H2: 4'

Approved/Approver

- Date: March 11, 09
- Rev: 00
- Initial: SF
- F-7.5.1-02-01

