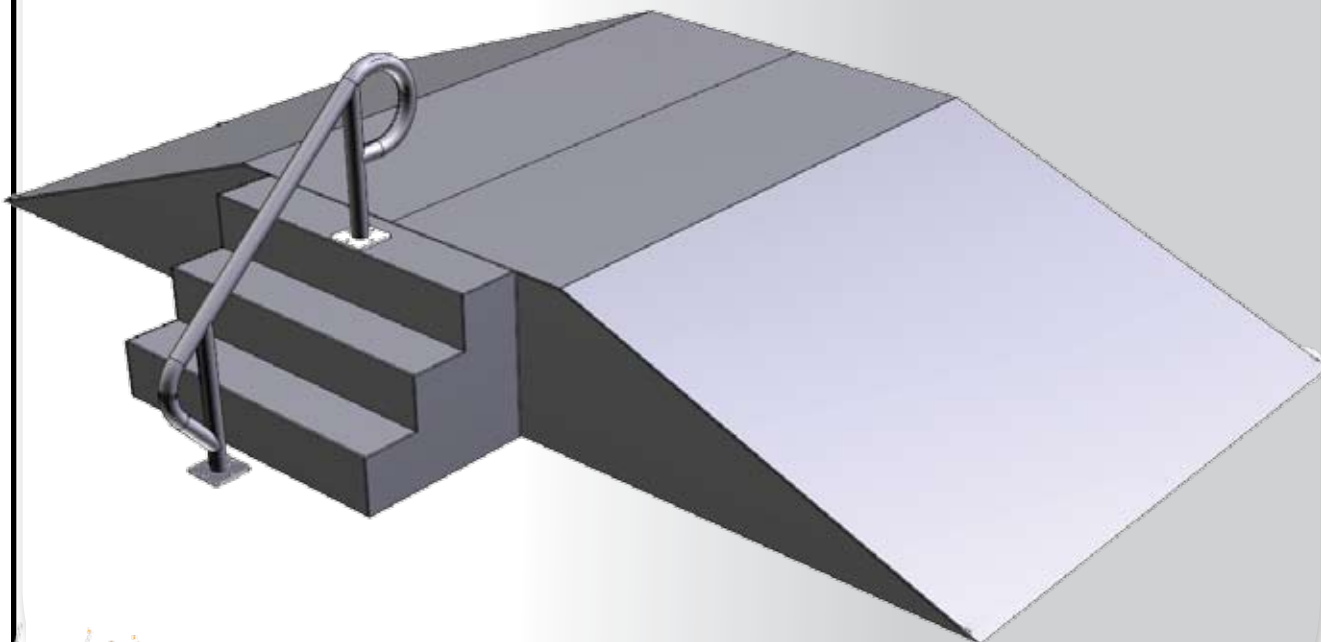
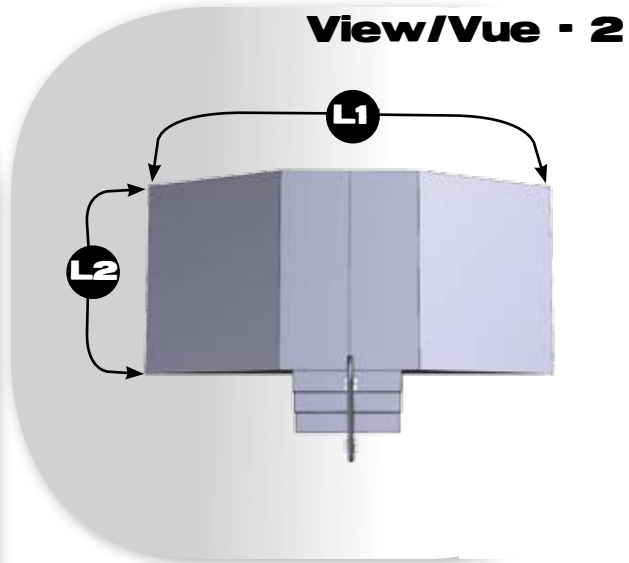




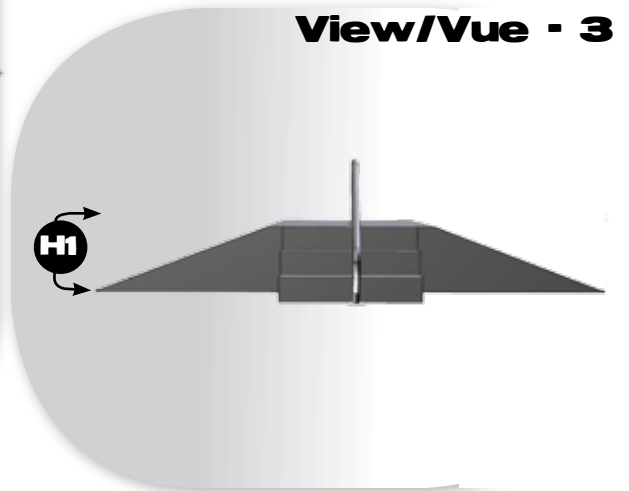
**View/Vue - 1**



**View/Vue - 2**



**View/Vue - 3**



# Bank to Bank (with stairs and rail)

**Prod - RedR-BB100**

**Dimension**

- L1: 18'
- L2: 7'.6"
- H1: 2'

**Approved/Approver**

Date: Feb, 25 2009  
Rev: 00  
Initial: SF  
F-7.5.1-02-01

