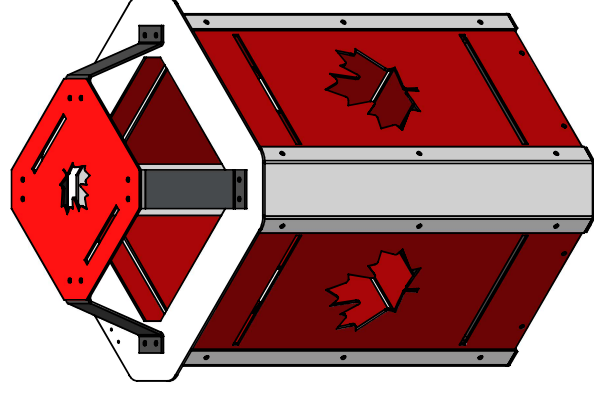
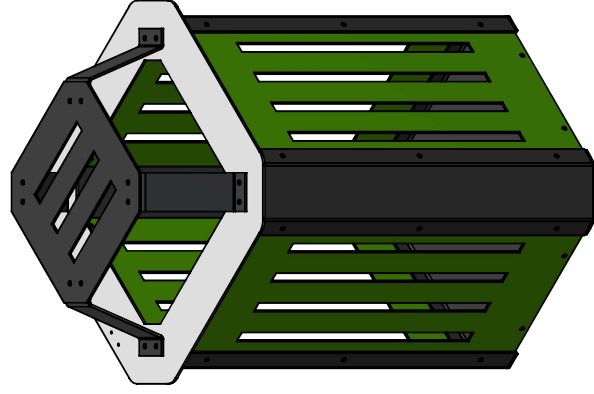
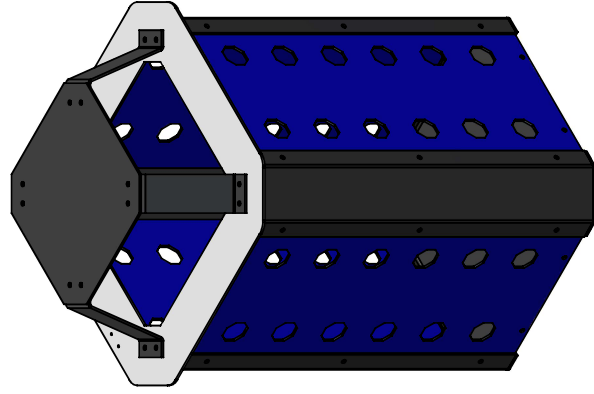
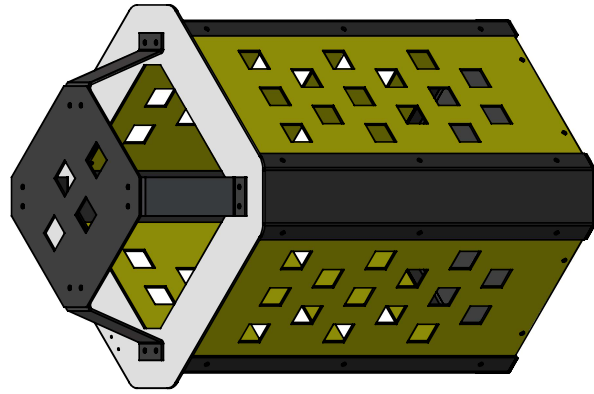


# K-park 41A

CUSTOMIZABLE



K-park 41A

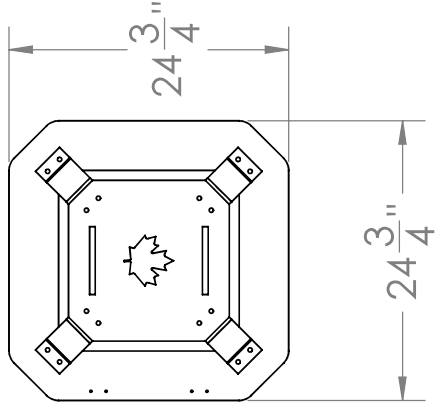
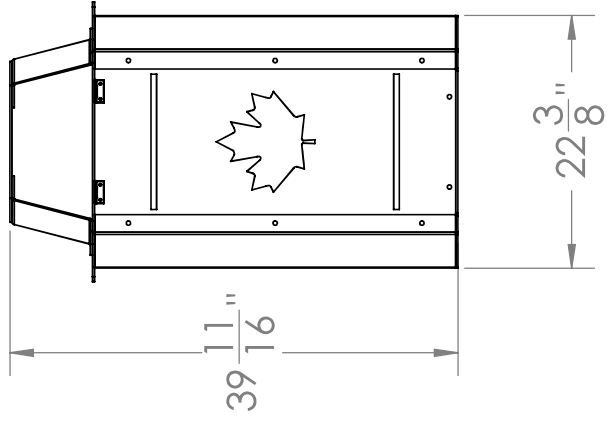
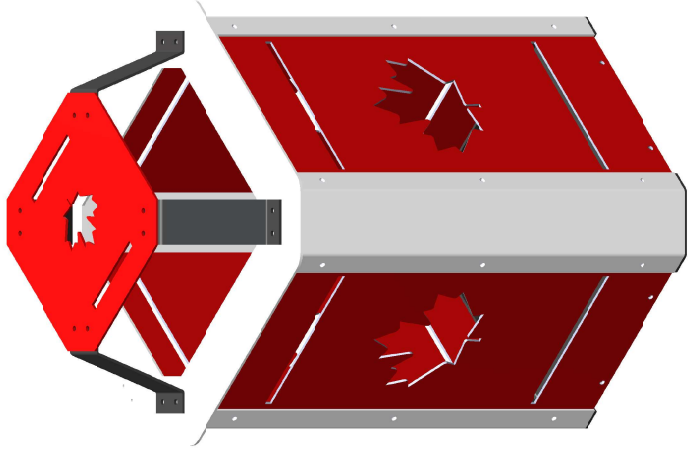
MODEL

Approval date: 26/10/20

Initial: S.T



# K-park 41A



K-park 41A

MODEL

Approval date: 26/10/20

Initial: S.T

