

ITEM NO.	PART NUMBER	QTY.
1	DECK 48 X 24 TR.ipt	1
2	POST-1_2	2
3	POST-4 1_2ft	2
4	SGS-STR 7ft	1
5	CLAMP A.iam-2	2
6	DWS-HA-PIPE.ipt	2

SHOP DRAWING

REV : 0

DATE :

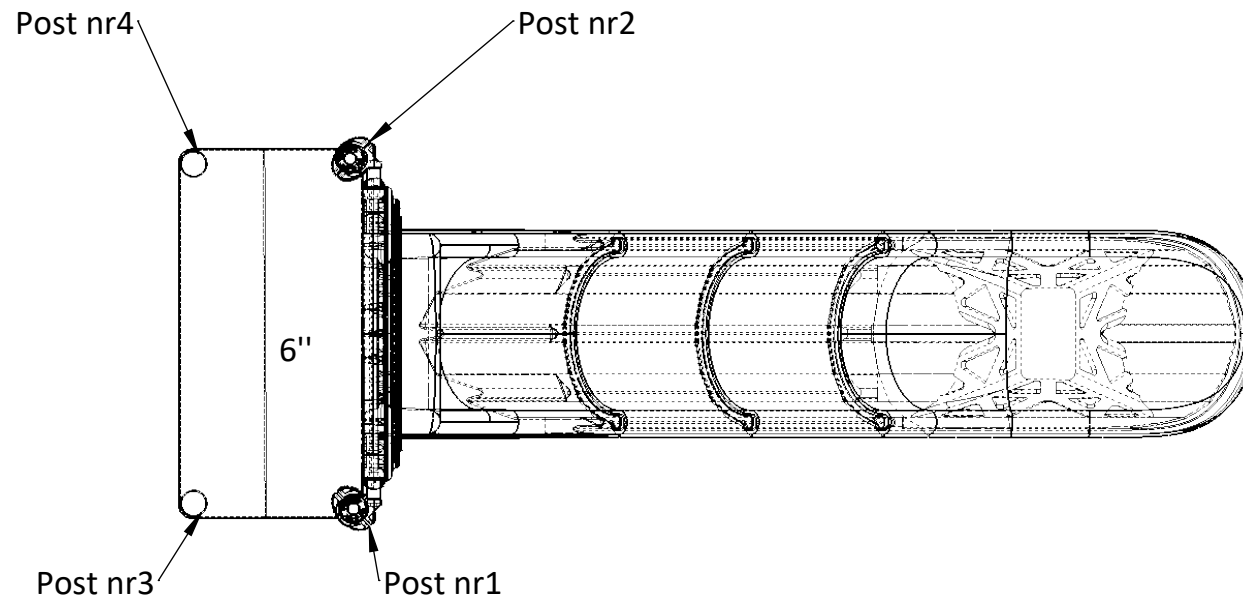
STRUCTURE NAME :

DESCRIPTION : **EMB-207U**

APPROVAL DATE :

INITIAL :

PAGE : 1 of 4



SHOP DRAWING

REV : 0

DATE :

STRUCTURE NAME :

DESCRIPTION : **EMB-207U**

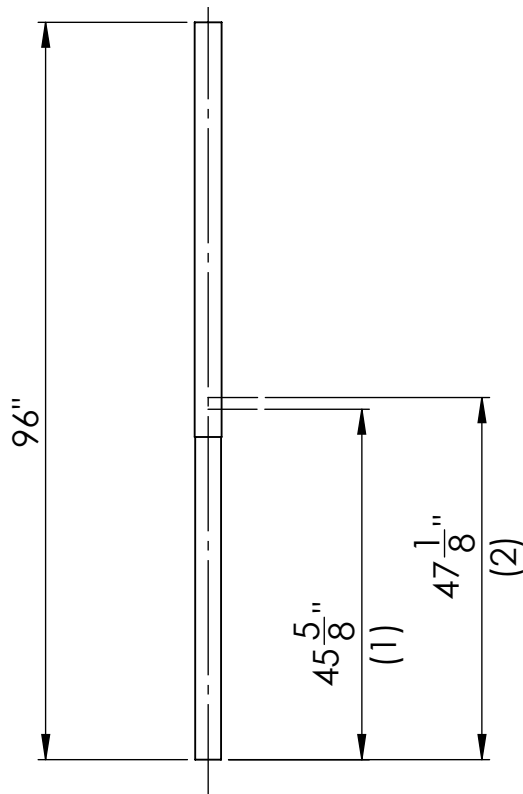
APPROVAL DATE :

INITIAL :

PAGE : 2 of 4

POST nr 1
POST nr 2

0° - 1,2
⊕



Nr	Height	Angle	Description
1	45 5/8"	0°	Platform 48"x24" TR
2	47 1/8"	0°	Platform 48"x24" TR

SHOP DRAWING

REV : 0

DATE :

STRUCTURE NAME :

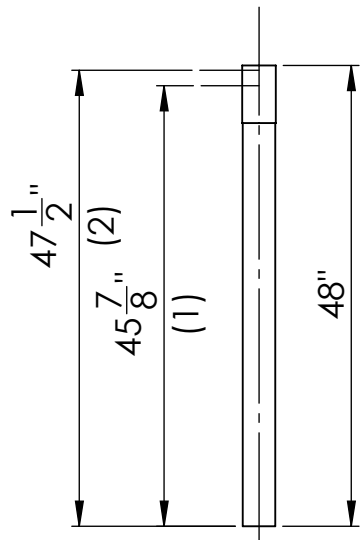
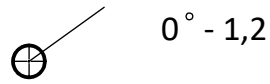
DESCRIPTION : **EMB-207U**

APPROVAL DATE :

INITIAL :

PAGE : 3 of 4

POST nr 3
POST nr 4



Nr	Height	Angle	Description
1	45 7/8"	0°	Platform 48"x24" TR
2	47 1/2"	0°	Platform 48"x24" TR

SHOP DRAWING

REV : 0

DATE :

STRUCTURE NAME :

DESCRIPTION : **EMB-207U**

APPROVAL DATE :

INITIAL :

PAGE : 4 of 4