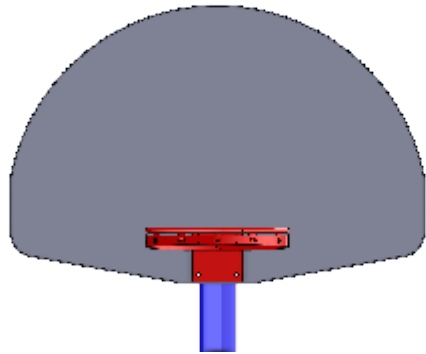


# B-604



▶ BACK PLATE SUPPORT  
3/8"th & PART OF TUBING  
COVERED WITH A POLYESTER  
POWDER PAINT

ALUMINUM BACKBOARD  
COVERED WITH A POLYESTER POWDER PAINT

HEAVY DUTY DOUBLE RIM  
COVERED WITH A POLYESTER POWDER PAINT

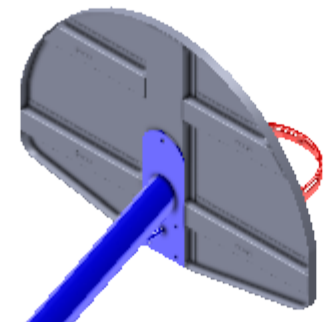
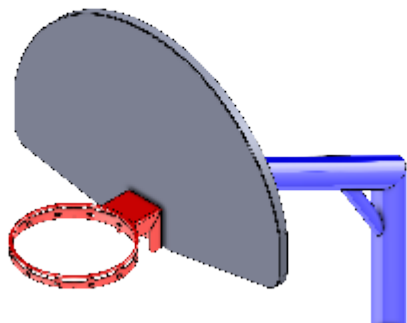
GALVANIZED STEEL  
TUBING 5"O.D. x 7GA

120"

168"

CONCRETE FLUSH  
TO FLUSH

SURFACE



B-604

CAN/CSA-Z614

23 ch. Boom Lane, Unit/Unité E Industrial Park/Parc  
industriel Atholville, New/Nouveau-Brunswick  
Canada, E3N 4E8 Tel/tél. : 1-888-212-  
1411/Fax/télé. : 1-888-789-0987  
www.kangoroo.com

Approval date: 23-SEPT-20  
Rev: 00  
Initial: S.T